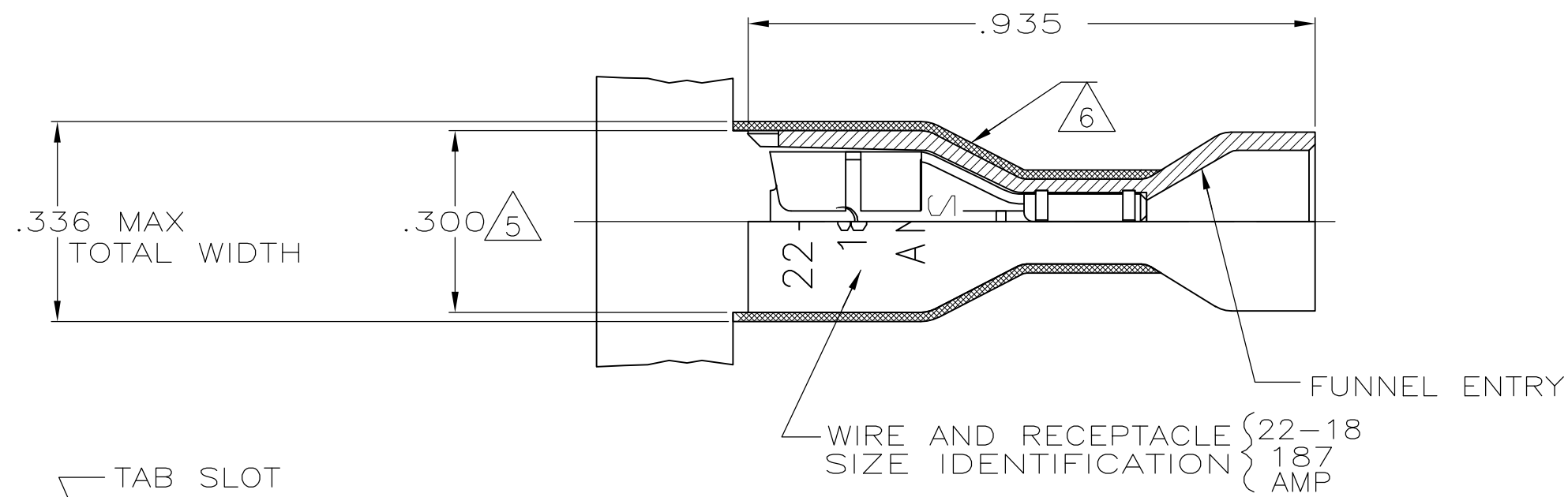
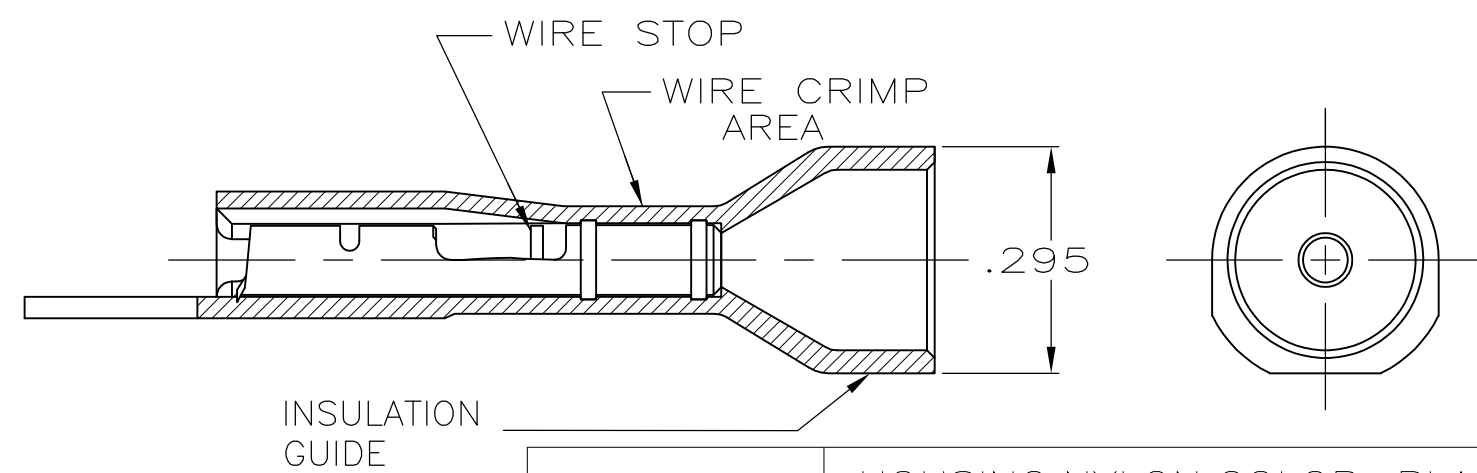
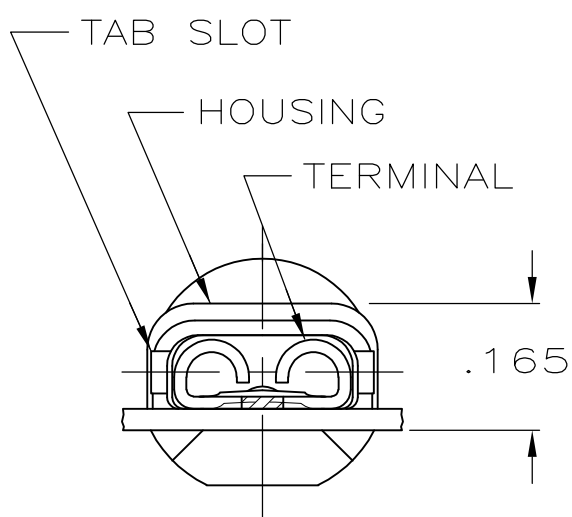


THIS DRAWING IS UNPUBLISHED. RELEASED FOR PUBLICATION
 © COPYRIGHT - By - ALL RIGHTS RESERVED.

LOC	DIST	REVISIONS			
P	LTR	DESCRIPTION	DATE	DWN	APVD
AF	50	R	REVISED PER ECR-13-004343	30JUL13	KH KR



- 1 MATES WITH .020±.001X.187 TAB
- 2 WIRE STRIP LENGTH .281
- 3 INSULATION SIZE .230 MAX DIA
- 4 CONTINUOUS STRIP ON REELS
- △5 DIMENSION DOES NOT INCLUDE TRIM BURR
- △6 .015 MAX CARRIER TRIM BURR PER SIDE IS ALLOWABLE IN THE SHADED AREA



PACKAGING	MATERIAL & FINISH	PART NO.
STANDARD	HOUSING:NYLON,COLOR-BLACK RECEPTACLE:BRASS, TIN	9-520261-2
OBSOLETE	BULK	5-520261-2
STANDARD	HOUSING:NYLON,COLOR-RED TRANSLUCENT RECEPTACLE:BRASS, TIN	2-520261-2

THIS DRAWING IS A CONTROLLED DOCUMENT.		DWN P FORTNEY 11/4/88	STE TE Connectivity	
DIMENSIONS: INCHES		CHK MS FEHER 11/7/88		
TOLERANCES UNLESS OTHERWISE SPECIFIED:		APVD T SHUTTER 11/7/88	NAME RECEPTACLE ASSY,ULTRA-FAST, .187 SERIES, 22-18 AWG	
0 PLC ± -		PRODUCT SPEC 108-2043	SIZE	CAGE CODE
1 PLC ± -		APPLICATION SPEC 114-2123	DRAWING NO A300779 C-520261	
2 PLC ± -		WEIGHT -	RESTRICTED TO -	
3 PLC ± .015		CUSTOMER DRAWING		
4 PLC ± -		SCALE 4:1		
ANGLES ± -		SHEET 1 OF 1		
FINISH SEE TABLE		REV R		